

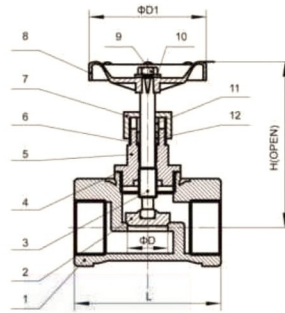
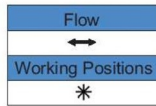
MODEL : GBV - 302 | Screw Stainless Steel Globe Valve



Connection : Screw Class 200

◆ FEATURES

1. 200PSI/PN16
2. Investment Casting
3. PED97/23/EC(CE0035)Approved
4. Casting Approved AD2000-WO
5. Rising Stem
6. Thread: ASME B1.20.1
BS21.DIN2999/259
ISO228-1,JS B 0203, ISO7/1
7. Inspection Testing: API598,EN12266



◆ MATERIAL LIST

ITEM	DESIGNATION	MATERIAL
1	BODY	CF8 / CF8M
2	PETAL	CF8 / CF8M
3	STEM	304
4	GASKET	PTFE
5	CAP	CF8 / CF8M
6	WASHER	304
7	BONNET	CF8 / CF8M
8	HAND WHEEL	ALUMINUM ALLOY
9	NUT	304
10	WASHER	304
11	RING	304
12	STEM PACKING	PTFE

◆ DIMENSIONS (mm)

SIZE	1/2"	3/4"	1"	1 1/4"	1 1/2"	2"
D	12	15	20	25	32	40
H	87	90	99	118	140	155
D1	70	70	80	80	100	100
L	52	60	71	82	90	101

MODEL : GLV - THREADED | Threaded Brass Globe Valve

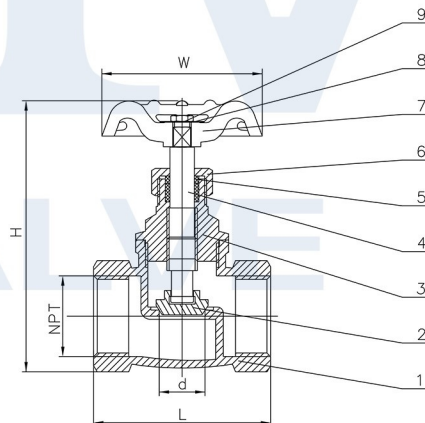
Ends Type: Female NPT, BSP

◆ DESIGN STANDARD

ASME B16.34, ISO 9001, CE

◆ DIMENSION

SIZE	NPTF	d	H	L	W
1/2"	1/2"	14	84	48	55
3/4"	3/4"	15	88	52	55
1"	1"	18	95	62	63
1 1/4"	1 1/4"	24	112	70	63
1 1/2"	1 1/2"	28	135	80	75
2"	2"	38	150	90	85



◆ TECHNICAL PARAMETERS

Nominal Diameter: 1/2"~2"(DN15~DN50)
Operating Temperature: -10 Deg. C~220 Deg. C
Main Materials: Brass
Pressure Rating: 200WOG; CL150, PN16/20
Ends Standard: ASME B1.20.1, BS21, ISO 7/1
Application: Sea water, Water, Steam, Oil and Gas

ITEM	DESIGNATION	MATERIAL
1	BODY	BRASS(HPb57-3)
2	DISC	
3	BONNET	
4	STEM	PTFE
5	PACKING	
6	PACKING NUT	BRASS(HPb57-3)
7	HANDWHEEL	A35
8	OPEN/CLOSED PLATE	ALUMINIUM
9	LOCKING NUT	SS304

◆ APPLICABLE MEDIA:

Water, non-corrosive liquid, saturated steam, etc.

◆ APPLICATION FIELDS:

The opening or closing stroke of the valve stem of the stop valve is relatively short, and it has a reliable cut-off function. At the same time, the change of the valve seat opening is in direct proportion to the stroke of the valve disc, which is suitable for flow adjustment. Therefore, this type of valve is very suitable for cutting off or regulating as well as throttling.